

Indoor Luminaire Evanston Pendant 120~277VAC / 60Hz

Model # EVNP2532LAJUDSN

Safety Precautions

- Read all safety precautions and installation instructions carefully before installing or servicing this fixture. Failure to comply with these instructions could result in potentially fatal electric shock and/or property damage.
- It is recommended that a qualified electrician perform all wiring. This fixture must be wired in accordance with all national and local electrical codes.
- Do not handle any energized fixture or attempt to energize any fixture with wet hands or while standing on a wet or damp surface or in water.
- This fixture is designed for use in a 120-277VAC, 60Hz fused circuit. The fixture is compatible with Triac (forward-phase or leading edge) / ELV (reverse phase or trailing edge) and 0-10 V dimmers. Make sure that the power source conforms to the requirements of the fixture. (See labels on the fixture housing).
- To reduce the risk of electrical shock, and to assure proper operation, this fixture must be adequately grounded. To accomplish proper grounding, there must be a separate ground wire (green) contact between this fixture and the ground connection of your main power supply panel.
- This fixture is intended to be used for general indoor lighting in dry or damp wet locations.
- Disclaimer

Changes or modifications not expressly approved by the party responsible for compliance could void the user's authority to operate the equipment. NOTE: This equipment has been tested and found to comply with the limits for a Class B digital device, pursuant to Part 15 of the FCC Rules and Canadian ICES-005 (B) / NMB-005 (B). These limits are designed to provide reasonable protection against harmful interference in a residential installation. This equipment generates uses and can radiate radio frequency energy and, if not installed and used in accordance with the instructions, may cause harmful interference to radio communications. However, there is no guarantee that interference will not occur in a particular installation. If this equipment does cause harmful interference to radio or television reception, which can be determined by turning the equipment off and on, the user is encouraged to try to correct the interference by one or more of the following measures:

- Reorient or relocate the receiver antenna.
- Increase the separation between the equipment and receiver.
- Connect the equipment into an outlet on a circuit different from that to which the receiver is connected.
- Consult with the dealer or an experienced radio/TV technician for help.

Any modifications to this fixture may void the warranty and interfere with the safe operation of the luminaire.

Operation is subject to the following two conditions: (1) this device may not cause interference, and (2) this device must accept any interference, including interference that may cause undesired operation of the device.

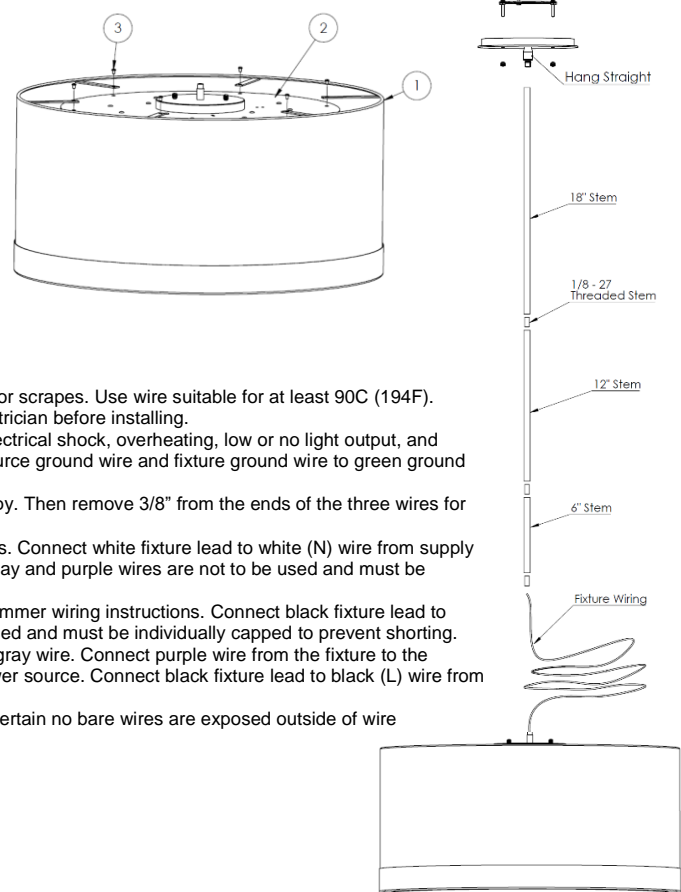
Assembly Instructions

1. Preparing for installation-

- A. **Disconnect electrical power** before installing or servicing any part of this fixture.
- B. Remove fixture from box. Separate contents of parts bag.

2. Fixture Assembly.

- A. Attach fixture shade (1) to fixture LED pan (2) using 6 provided screws (3). Hand tighten to make sure they are secured tightly. Do not over tighten and strip threads.
- B. Choose desired height for fixture stems using any of the 6", 12" & 18" stems provided to achieve your preferred hang length to the top of the shade.
- C. Feed fixture wiring from top of shade up through both stems that are going to be used all the way through the Hang Straight into the canopy.
- D. Starting with the bottom stem thread each stem together one at a time until the Canopy is securely tightened to the stems.
- E. Tighten the stems to the canopy at the three locations with the desired stem lengths to get the look wanted.



3. Wiring- all wiring must take place inside junction box.

Caution: Make sure power is off at fuse or circuit breaker box. Check power wires for any damage or scrapes. Use wire suitable for at least 90C (194F).

Note: Most dwellings built before 1985 have supply wire rated to 60C. Consult a qualified electrician before installing.

- A. This unit will not operate properly unless connected to a "grounded" electrical circuit. Electrical shock, overheating, low or no light output, and shortened LED life can result if proper grounding is not done. Securely attach power source ground wire and fixture ground wire to green ground screw on circular mounting bracket.
- B. For NEC (National Electrical Code) requirements, cut the cord about 7" above the canopy. Then remove 3/8" from the ends of the three wires for connection purposes.
- C. **For none-dimming fixture.** Fixture will operate normally w/o connection to any dimmers. Connect white fixture lead to white (N) wire from supply power source. Connect black fixture lead to black (L) wire from supply power source. Gray and purple wires are not to be used and must be individually capped to prevent shorting.
- D. **For TRIAC dimming.** Connect white fixture lead to (N) wire from dimming source per dimmer wiring instructions. Connect black fixture lead to black (L) wire from dimmer supply power source. Gray and purple wires are not to be used and must be individually capped to prevent shorting.
- E. **For (0-10V) dimming fixture.** Connect gray wire from the fixture to the dimmer source gray wire. Connect purple wire from the fixture to the dimmer source purple wire. Connect white fixture lead to white (N) wire from supply power source. Connect black fixture lead to black (L) wire from dimmer supply power source.
- F. **Do not mix wires.** Pull on each wire lead to make sure connections are secure. Make certain no bare wires are exposed outside of wire connectors. Tuck all connections neatly into junction box.

Limited Factory Warranty

AFX Inc. hereby warranty that this fixture is free from defects in materials and workmanship when installed and used under normal operating conditions for a period of 5 years from the date of shipment from the factory. This warranty covers all component parts and extends only to replacement of defective fixture or components: it does not cover failure due to improper installation, misuse, mishandling or damage incurred in transit.



4. Color Changing Temperature Adjustment, CCT (if desired).

A. Adjust the two switches on each board accordingly to the desired color temperature as seen below. All boards must be set the same way. **Note:** Fixture is preset to 3500K from factory.

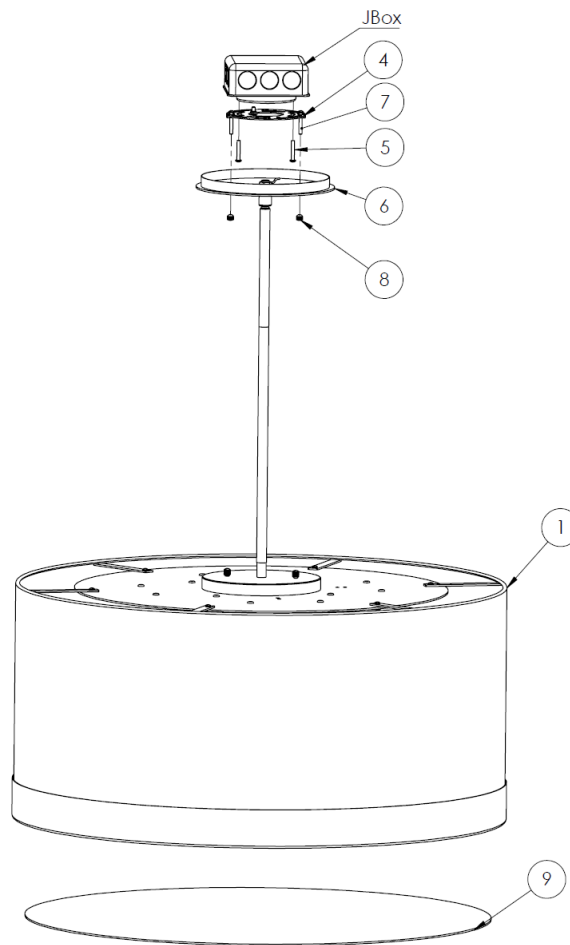
COLOR TEMPERATURE ADJUSTMENT SETTING



5. Ceiling Mounting.

- A. Align mounting gem bar (4) over tapped holes in the junction box (Not Included). Secure mounting cross bar to the junction box with two provided screws (5), making sure the gem bar (4) is tight up against the ceiling.
- B. Lift fixture (1) with stem and canopy (6) flush up to ceiling aligning two threaded stems (7) with clearance holes in the canopy (6).
- C. Secure the fixture canopy (6) flush to ceiling with the two decorative thumb nuts (8) provided.
- D. Place diffuser (9) inside shade resting on bottom ring to give the finished look.

6. Restore power at the fuse or breaker box.



Limited Factory Warranty

AFX Inc. hereby warranty that this fixture is free from defects in materials and workmanship when installed and used under normal operating conditions for a period of 5 years from the date of shipment from the factory. This warranty covers all component parts and extends only to replacement of defective fixture or components: it does not cover failure due to improper installation, misuse, mishandling or damage incurred in transit.